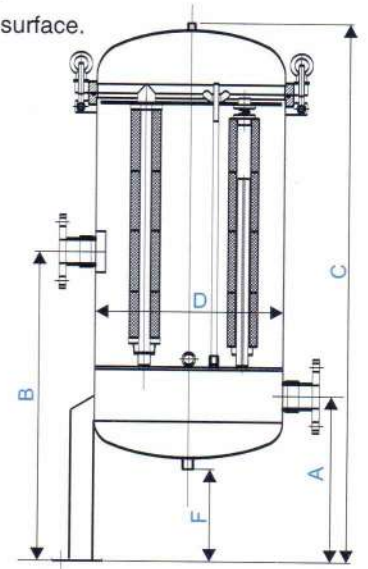
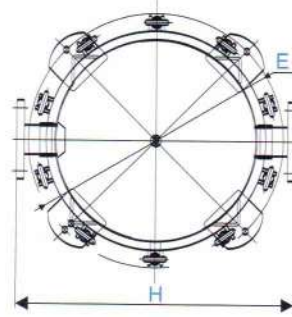


BN4- 精滤器

1. 材质 SUS304, SUS316L;
2. 最大工作压力 150 Psi;
3. 表面抛光处理或亚光处理。

BN4-Cartridge Filter Housing

- Material: SUS304, SUS316L;
 Max working pressure 150 Psi;
 Polished or sandblast external surface.



Standard specifications

Model	A (mm)	B (mm)	C (mm)	D (mm)	F (mm)	E (mm)	H (mm)	In/Out	Drain
BN4-W5L3	250	600	1250	φ 200	120	φ 200	340	1 1/2 " -2 "	1/2 "
BN4-W5L4	250	700	1500	φ 200	120	φ 200	340	1 1/2 " -2 "	1/2 "
BN4-W7L3	300	700	1300	φ 250	150	φ 250	390	1 1/2 " -2 "	1/2 "
BN4-W7L4	300	800	1550	φ 250	150	φ 250	390	1 1/2 " -2 "	1/2 "
BN4-W11L3	360	700	1380	φ 300	200	φ 300	440	2 " -3 "	3/4 "
BN4-W11L4	360	900	1620	φ 300	200	φ 300	440	2 " -3 "	3/4 "
BN4-W15L3	380	800	1420	φ 350	200	φ 350	530	2 " -3 "	3/4 "
BN4-W15L4	380	900	1660	φ 350	200	φ 350	530	2 " -3 "	3/4 "
BN4-W20L3	400	800	1460	φ 400	200	φ 400	560	2 " -4 "	3/4 "
BN4-W20L4	400	900	1700	φ 400	200	φ 400	560	2 " -4 "	3/4 "
BN4-W27L3	460	800	1530	φ 450	250	φ 450	630	2 " -4 "	3/4 "
BN4-W27L4	460	1000	1770	φ 450	250	φ 450	630	2 " -4 "	3/4 "