

# Kompact

analogue solenoid dosing pumps

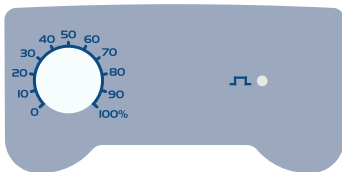


innovation > technology > future

## Features **Kompact**

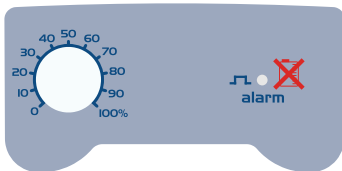


**kompact** is a simple yet reliable series of micro-processor based analogue solenoid dosing pumps.



### **AMS** [constant dosage]

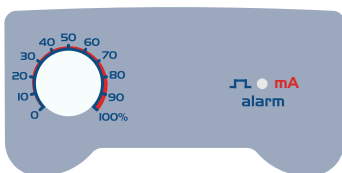
Constant flow rate manually adjustable by control dial on the front panel, Power-ON led indicator.



### **AML** [constant dosage]

Constant flow rate manually adjustable by control dial on the front panel, two flow rate range:

- 0÷20% with switch in P position,
  - 0÷100% with switch in C position,
- Power-ON led indicator and level control input.

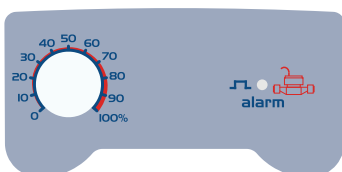


### **AMM** [proportional dosage]

Constant flow rate manually adjustable, proportional flow rate according to an external analogue signal (4÷20 mA), Power-ON led indicator and level control input.

The two different modes are:

- **Constant** (switch in C position)  
The pump constantly doses the rate selected with the potentiometer.
- **Proportional** (switch in P position)  
The pump doses proportionally to the analogue input signal (4÷20 mA).



### **AMC** [proportional dosage]

Constant flow rate manually adjustable, proportional flow rate according to a digital input signal (from water meter), Power-ON led indicator and level control input.

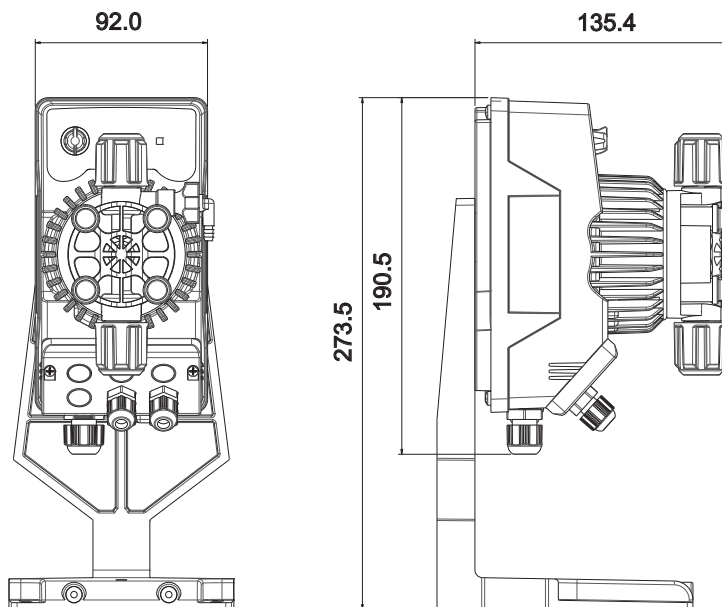
The two different modes are:

- **Constant** (switch in C position)  
The pump constantly doses the rate selected with the potentiometer.
- **Proportional** (switch in P position)  
The pump doses proportionally to the digital input signal (Division mode 4 : 1). Maximum input frequency: 80Hz.

## Features

<b>Enclosure</b>	Materials:	PP
	Protection degree:	IP65
<b>Pump Head materials</b>	Pump Body:	PVC [with manual priming valve]
	Valves:	PVC
	Balls:	Ceramic
	Diaphragm:	PTFE [the diaphragm has been tested over a period of 5 years]
<b>Power Supply</b>	AMS Model:	230 Vac 50 Hz Consumption 12 W
	AML / AMM / AMC Models :	100÷240 Vac 50/60 Hz [with reduced power consumption as the solenoid only draws the required power to activate the pump, based on the working conditions] Consumption 14 W
<b>Flow rate manual adjustment</b>		from 0 (operation stop) to 100% of max. flow rate
<b>Wall mounting</b>		With fixing bracket

## Dimensional Drawings



## Installation kit in PP



### Operation state LED

- Steady green LED switches off with every stroke that the pump runs.
- Flashing Green led with the potentiometer to 0.
- Steady red LED switches on with alarm.

### In proportional mode

- Steady orange LED switches off with every stroke that the pump runs.
- Flashing orange LED with the potentiometer at 0.

### Specifications

<b>Type</b>	200	
<b>Pressure [bar]</b>	8	10
<b>Flow rate [l/h]</b>	5	3
<b>cc/stroke</b>	0.52	0.31
<b>Connections [mm]</b>	4 / 6	
<b>Stroke/min</b>	160	

### Pump Head materials

<b>Type</b>	P	
<b>Body Pump</b>	PVC	
<b>Balls</b>	Ceramic	
<b>Seat valve</b>	FPM	EPDM
<b>Diaphragm</b>	PTFE	

# A Worldwide Group at your service



For more information  
[www.seko.com](http://www.seko.com)

## BRAZIL

### ● Seko do Brasil Comercio de Sistemas de Dosagem Limitada

03170-050 São Paulo (SP)  
Phone: +55 11 2606 9878  
Fax: +55 11 2606 9878  
[sekobrasil@sekobrasil.com.br](mailto:sekobrasil@sekobrasil.com.br)  
[www.sekobrasil.com.br](http://www.sekobrasil.com.br)

## CHINA

### ● Seko China Ltd

072750 Hebei  
Phone: +86 312 552 0904  
Fax: +86 312 552 0901  
[china@seko.com](mailto:china@seko.com)  
[www.sekochina.com](http://www.sekochina.com)

## DENMARK

### ● Seko Denmark

DK-4930 Maribo  
Phone: +45 5475 7545  
Fax: +45 5474 7545  
[info@seko.com](mailto:info@seko.com)

## FRANCE

### ● Seko Lefranc-Bosi S.A.

77435 - Marne La Vallée Cedex 2  
Phone: +33 1 6005 9060  
Fax: +33 1 6480 4104  
[lefrancbosi@lefrancbosi.com](mailto:lefrancbosi@lefrancbosi.com)  
[service.commercial@seko.fr](mailto:service.commercial@seko.fr)  
[www.lefrancbosi.com](http://www.lefrancbosi.com)

## GERMANY

### ● Seko Deutschland GmbH

55252 Mainz - Kastel  
Phone: +49 6134 2858 10  
Fax: +49 6134 2858 29  
[info@seko-messtechnik.de](mailto:info@seko-messtechnik.de)  
[www.seko-germany.com](http://www.seko-germany.com)

## ITALY

### ● Seko Spa

Via Salaria Km. 92,200  
02010 S.Rufina - Rieti  
Phone: +39 0746 605801  
Fax: +39 0746 607072  
[sales@seko.com](mailto:sales@seko.com)

### ● Seko Spa

**[Process & Sytems]**  
Via Di Vittorio, 25 - 20068  
Peschiera Borromeo - Milano  
Phone: +39 02 97372411  
Fax: +39 02 55301744  
[info.psd@seko.com](mailto:info.psd@seko.com)  
[info@seko.com](mailto:info@seko.com)

## ROMANIA

### ● Seko Sieta S.r.l.

400393 Cluj-Napoca  
Phone: +40 264 415 251  
Fax: +40 264 415 622  
[info.dpro@seko.com](mailto:info.dpro@seko.com)

## RUSSIA

### ● OOO Seko

129347 - Moscow  
Phone: +74 99 182 52 36  
Fax: +74 99 182 52 36  
[sekorussia@seko.com](mailto:sekorussia@seko.com)  
[www.sekorussia.ru](http://www.sekorussia.ru)

## SINGAPORE

### ● Seko Dosing Systems

**Asia Pacific Pte Ltd**  
608838 Singapore  
Phone: +65 6515 6996  
Fax: +65 6515 5079  
[asiapacific@seko.com](mailto:asiapacific@seko.com)

## SOUTH AFRICA

### ● Seko Southern Africa (PTY) Ltd

Kyasand - Johannesburg - Gauteng  
Phone: +27 11 704 6589  
Fax: +27 11 704 6588  
[sales@sekosa.co.za](mailto:sales@sekosa.co.za)

## SPAIN

### ● Seko Ibérica Sistemas de Dosificación S.A.

08960 San Just Desvern - Barcelona  
Phone: +34 93 4802 570  
Fax: +34 93 4802 571  
[sekoiberica@sekoiberica.com](mailto:sekoiberica@sekoiberica.com)

## SWEDEN

### ● Seko Sweden

26123 Landskrona  
Phone: +46 418 448 482  
Fax: +46 418 448 483  
[info@seko.com](mailto:info@seko.com)

## TURKEY

### ● Seko Endüstriyel Pompalar ve Proses Sistemleri San. ve Tic. Ltd. Şti.

Kartal Istanbul  
Phone: +90 216 353 2542  
Fax: +90 216 353 1450  
[info@seko.com.tr](mailto:info@seko.com.tr)

## UNITED KINGDOM

### ● Seko UK - Chemical Controls Ltd

Harlow, Essex - CM19 5JH  
Phone: +44 1279 423550  
Fax: +44 1279 423993  
[seko.uk@seko.com](mailto:seko.uk@seko.com)  
[www.sekouk.com](http://www.sekouk.com)

## USA

### ● Seko Dosing Systems Corporation USA

Tullytown - PA 19007 (USA)  
Phone: +1 215 945 01 25  
Fax: +1 215 945 09 37  
[sales@sekousa.com](mailto:sales@sekousa.com)  
[www.sekousa.com](http://www.sekousa.com)

